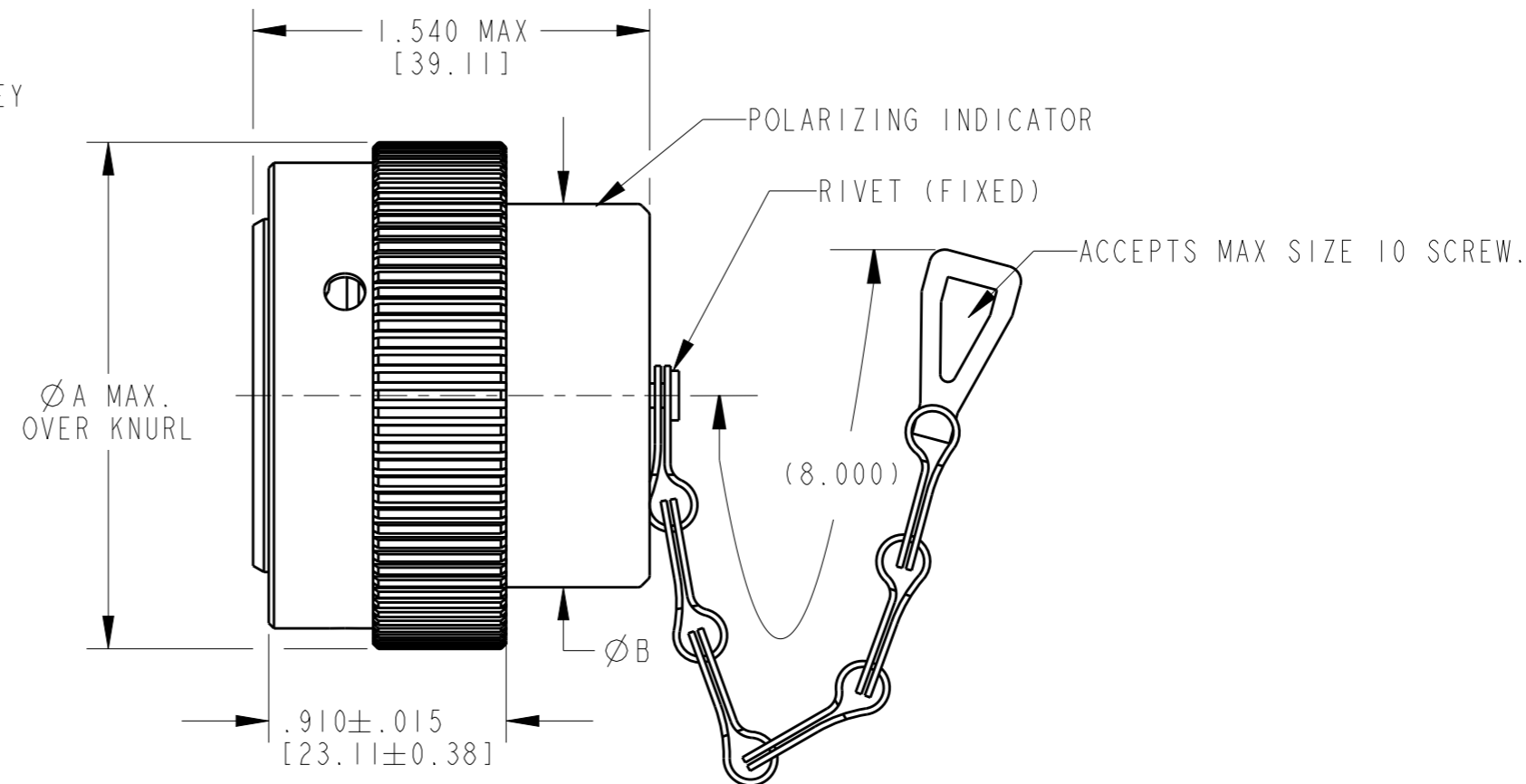
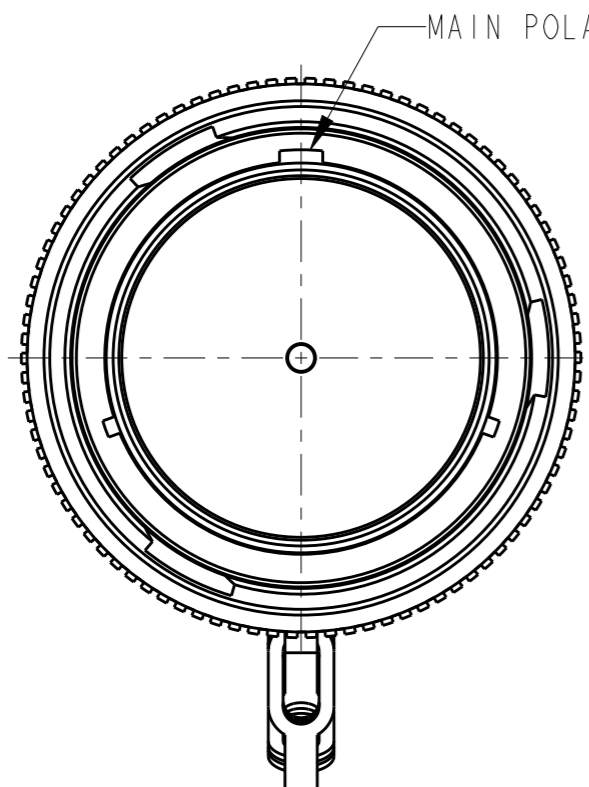
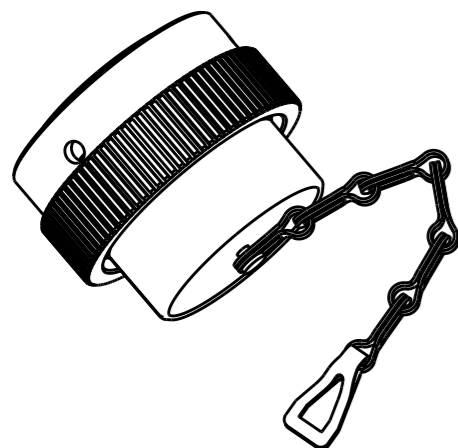


THIS DRAWING IS UNPUBLISHED
RELEASED FOR PUBLICATION
2013
ALL RIGHTS RESERVED.

LOC		DIST		REVISIONS			
P	LTR	DESCRIPTION	DATE	DWN	APVD		
	B	REVISED REDRAWN PER E.O. P17809	12-23-10	XS	RDR		
	C	REVISED PER E.O. P20815	3-19-11	XS	RDR		
	D	REVISED PER E.O. P20977	6-28-11	XS	RDR		
	DI	REVISED PER ECO-14-006488	4-30-14	JA	DM		



SHELL SIZE XX	A MAX. Ø	Ø B ± .010 [±0.25]	WEIGHT IN GRAMS
18	1.692 [42.97]	1.220 [30.98]	46.59
24	1.942 [49.32]	1.470 [37.33]	50.62

THIS DRAWING IS A CONTROLLED DOCUMENT.

DWN 29APR2014 JAIME C. APOSTOL
 CHK 30APR2014 ILINA GRANICHAROVA
 APVD 30APR2014 DAVID MEYER

STE TE Connectivity

NAME: COVER, PROTECTIVE BAYONET COUPLING (TO MATE WITH RECEPTACLE)

PRODUCT SPEC APPLICATION SPEC

WEIGHT SEE TABLE

CUSTOMER DRAWING

SIZE A3	CAGE CODE 4AFU8	DRAWING NO. C-HDC36-XX	RESTRICTED TO -
SCALE 1.50	SHEET 1	OF 1	REV DI

NOTES:

1 MATERIAL: SHELL: ALUMINUM; CHAIN: STAINLESS STEEL.